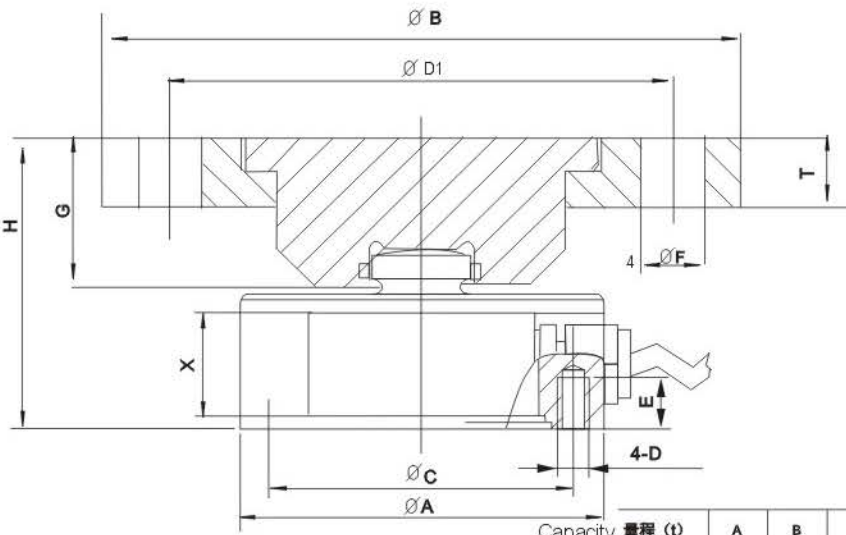


额定载荷(t) Rated Load	A	B	C	D	E	F	G	H	T	X	Y
0.05~1	50	30	42	M5	7	60	34	7	13	20	35
2~5	90	48	70	M10	12	100	55	12.5	25	30	50
10~20	115	60	90	M12	16	160	68	12.5	32	30	50
30~50	155	80	125	M16	20	300	97	15.5	44	30	50



Capacity 量程 (t)	A	B	C	D	D1	E	F	G	H	T	X
0.05~1	50	89	42	M5	70	7	9	21	46	10	20
2~5	90	89	70	M10	70	12	9	21	64	10	30
10~20	115	110	90	M12	90	16	13	27.5	80	15	30
30~50	155	147	125	M16	120	20	17	50	133	22	30

Hopper scale testing situations for compression

TECHNICAL PARAMETER

OAP version 4Wires:Exc+(Blue);Exc-(Black);Sig+(White);Sig-(Red)

Rated capacities(Emax)	0.1,0.2,0.5,1,2.5,10,20,30,50t	Temperature range, compensated	-10°C~+40°C
Sensitivity	2.0 ±0.05mV/V(0.05~1t);2.0 ±0.02mV/V (2~50t)	Temperature range, operating	-30~+70°C
Total error	±0.5%F.S(0.05~1t); ±0.3%F.S(2~50t)	Maximum safe overload	150%F.S
(30)Creep error (30min)	±0.05%F.S	Ultimate overload	180%F.S
Zero balance	±1%F.S	Excitation, recommend	10~12V DC
TCO	±0.05%F.S/10°C	Excitation, maximum	15V DC
TC SPAN	±0.05%F.S/10°C	Protection class	IP68
Input resistance	400±20Ω	Construction	合金钢 Alloy Steel
Output resistance	352±3Ω	Cable	Length:3m(0.05~1t),6m(2~5t),12m(10~50t)
Insulation resistance	≥5000MΩ		Diameter: φ5mm